
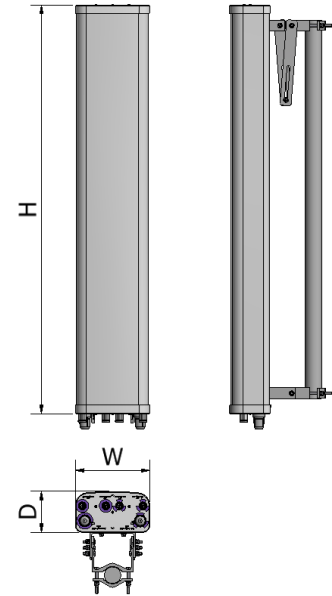


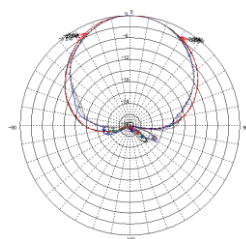
### ESBDP\_H65\_17dBi\_4x4\_3.5GHz

i. Electrical Specification		
Frequency Range	3350 ~ 3900 MHz	
Band Width	550 MHz	
Gain	≥ 17.0 dBi ( 0° ) ≥ 16.5 dBi ( 5° ) ≥ 16.0 dBi ( 10° )	
Polarization	± 45° SLANT	
Beam width	Horizontal	63° ± 9°
	Vertical	≥ 4.5°
F-B ratio (@180 ± 30°)	≥ 25 dBi ( 0° ) ≥ 24 dBi ( 5° ) ≥ 23 dBi ( 10° )	
VSWR	≤ 1.5 : 1	
Impedance	50 Ω	
Electrical tilt	0° ~ 10°	
Isolation	≥ 27 dB	
IMD (3rd)	≤ -150 dBc @ 2x43dBm	
1st Upper Side lobe level	≥ 15 dB ( 0° ), 14 dB ( 7° ), 13 dB ( 14° )	
Cross-Polar Ratio	0°	≥ 15 dB
	±60°	≥ 6 dB ( 0° ), 5 dB ( 7° ), 4 dB ( 14° )
Tracking (±60°)	≤ 5 dB	
Squint	± 5°	
Maximum input power	≥ 200 W	

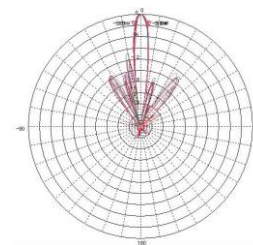
ii. Mechanical Specification	
Radom Dimension ( W x D x H )	≤ 262 x 140 x 1000 mm
Weight ( exclude bracket )	≤ 12 kg
Connector Type	Mini DIN-Female x 4
Withstand Wind Pressure	60 m/sec
Radom Material (color)	A.S.A. (Cool Gray 4C) 
Mechanical Down Tilt	0° ~ 30°
Temperature	-40 °C ~ 70 °C



### iii. Radiation Pattern



Horizontal Pattern



Vertical Pattern